

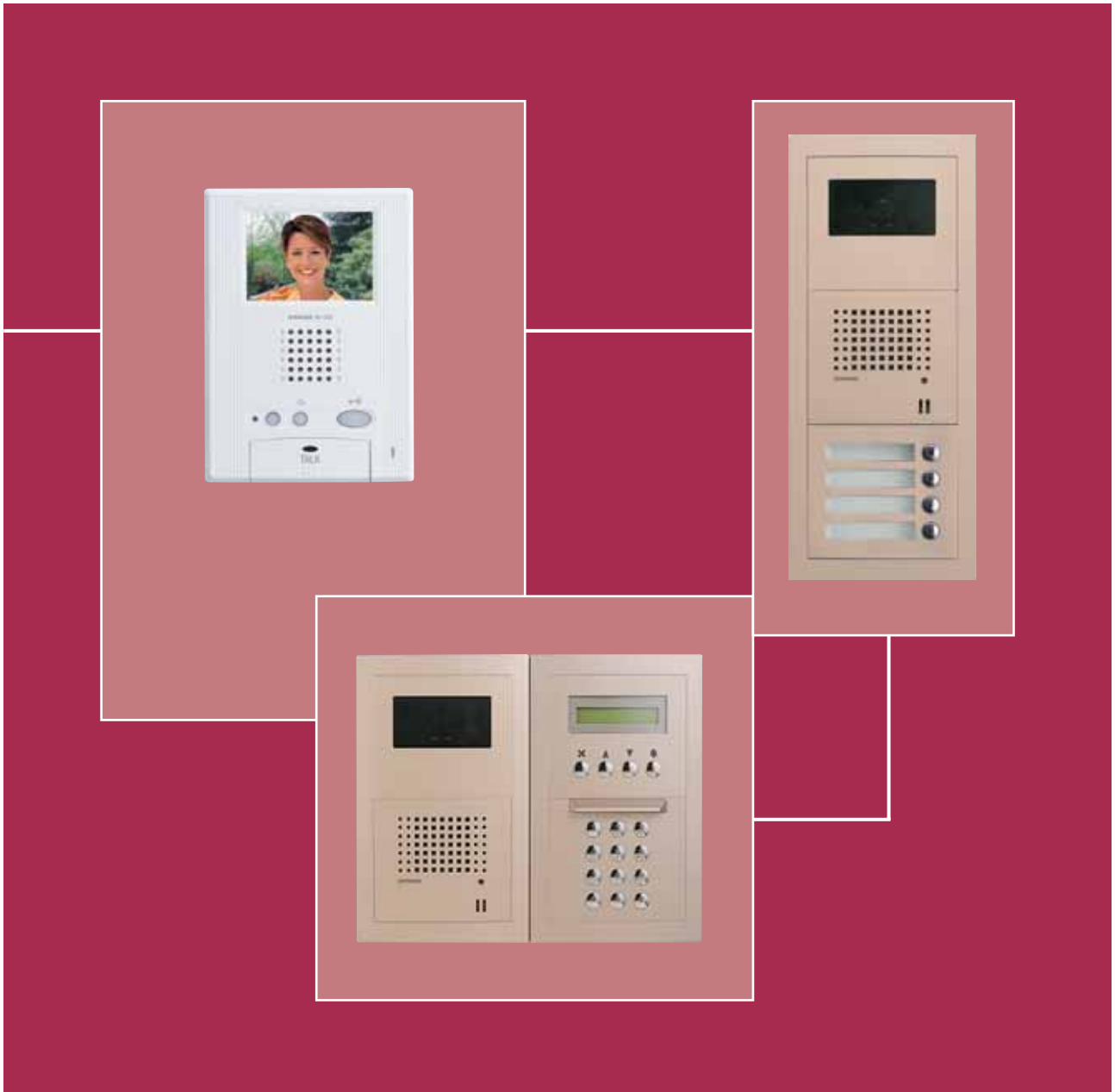


GH Series

Hands Free Colour

Four Wire Digital Apartment Intercom

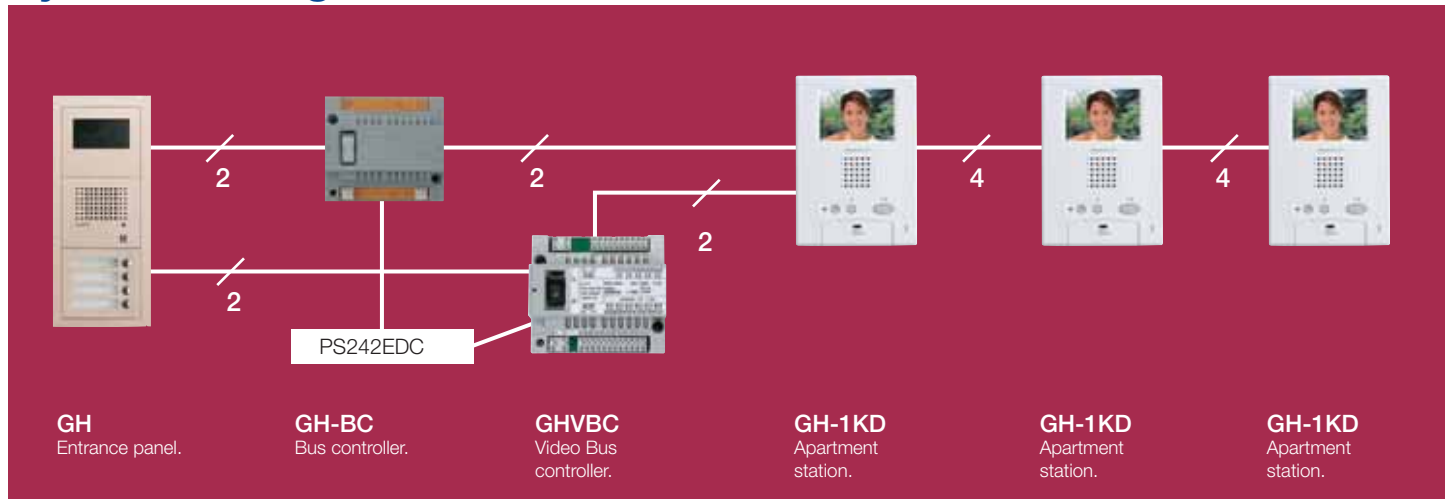
16 entries and 500 apartment stations



Video Apartment Security Intercom

Colour Four Wire Digital Video Apartment Intercom

System Configuration



Features

- Hands free apartment stations.
- Concierge or guard station call feature (requires GHMK Guard Station).
- Security of video.
- Up to 500 stations.*
- Up to 16 entrances.
- Vandal resistant entrance stations.
- Simple 4 wire installation.
- Modular entrance stations.
- Two additional buttons on apartment station for control of additional door release or lift control (requires additional hardware). (NA on GH-1MD Station).
- Doorbell option on apartment station.
- Up to 4 stations per apartment.**

* Digital name scroll module and keypad must be used on systems with over 100 handsets.

** Contact technical support when more than 2 video stations are installed in an apartment.

Specifications

Power Source	24 V DC, 2 amps. PS242EDC.		
Call-in	Electronic tone with adjustable volume.		
Door release	Contact rating: 4 amp, 24 volt.		
Wiring	2 x 2 parallel wires, non-polarised for video and audio communication buses. A bus can support up to 25 GH video stations.		
Distance			
Diameter	0.65 mm	0.8 mm	1.0 mm
GH-VBC to farthest GH-1KD 1 per residential line.			
	100 m	150 m	150 m
GH-VBC to farthest GH-1KD 2 per residential line.			
	50 m	100 m	150 m
GH-VBC to Entrance station (GHVA, Video)			
	50 m	100 m	300 m

Additional Options

GH-VA Colour camera module.	GF-2P 2 call panel.	GH-4Z Video distributor.	GF-3F 3 module frame.
GF-VP Panel.	GF-3P 3 call panel.	GH-1KD Colour video apartment station.	GF-2B Back box.
GH-DA Audio module.	GF-4P 4 call panel.	GH-HS Handset option for GH-1KD station.	GF-3B Back box.
GH-DP Panel.	GH-SW Call switch module.	GH-BP Blank panel.	EL9S Door release.
GH-NS Name scroll module.	GH-BC Bus controller.	GH-1MD B&W Video apartment station.	GH-RY Light relay.
GF-NSP Panel.	GH-VBC Video bus controller.	GH-1AD Audio apartment station.	PS242EDC 24V power supply.
GF-1P 1 call panel.	GH-BCX Audio bus expander.	GF-2F 2 module frame.	
	GH-VBX Video bus expander.		

Cables

- 0.5 mm ~ 1.2 mm.
- PE (polyethylene) insulated and vinyl-sheathed cable. (KB wire).
- Solid copper conductor.

Your local Aiphone reseller:

