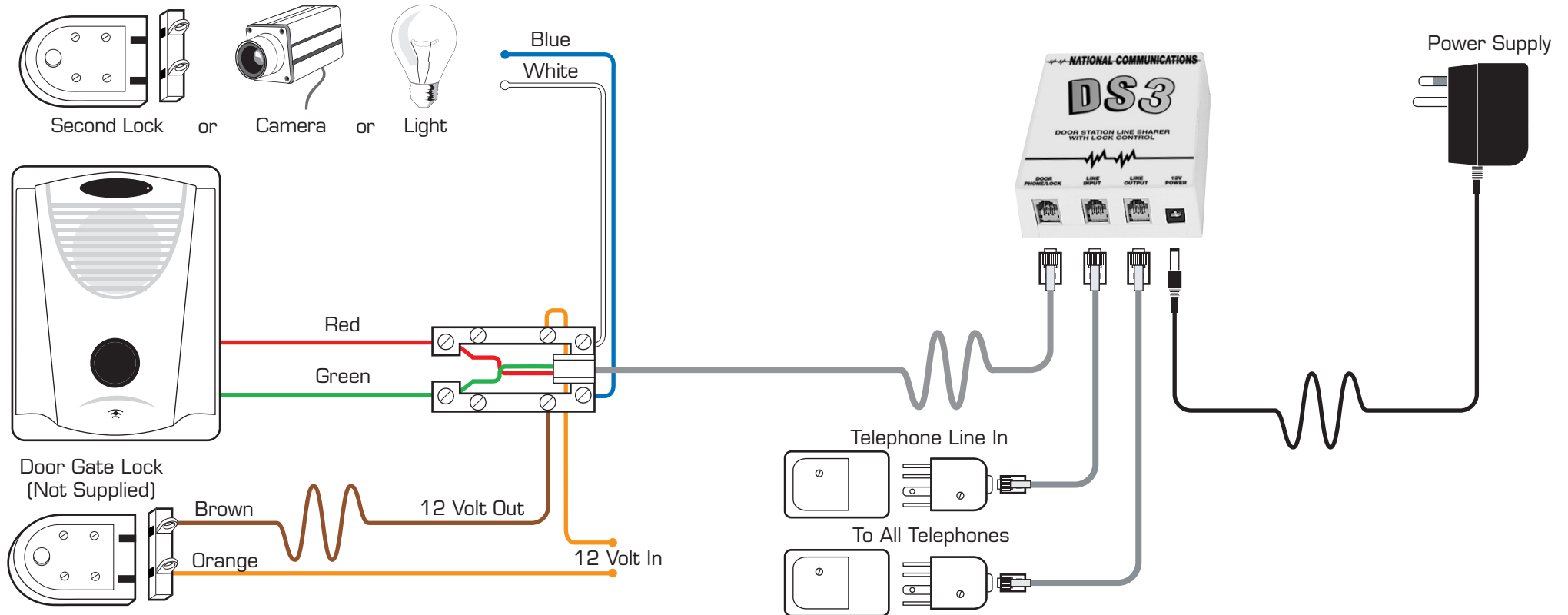


# DOOR STATION

## SINGLE LINE INSTALLATION

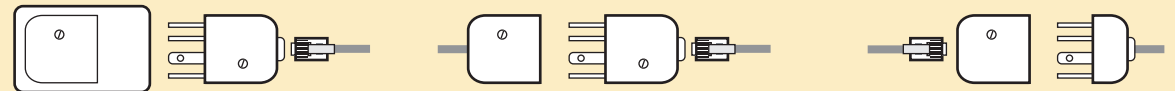
DS3



### Please Note :

If ADSL is used on this line, it is ESSENTIAL that a high quality 'central' type ADSL filter is fitted BEFORE the LINE INPUT of DS3. No other ADSL filters should be used on the same line, as they will cause interference to the DS3 or ADSL service. A suitable filter is available from National Communications at a cost of \$35.00 incl GST.

If a Dial Out ALARM SECURITY SYSTEM is used on this line, it is ESSENTIAL that it is fitted BEFORE the LINE INPUT of DS3. If ADSL is also to be used on this line, the ALARM SYSTEM must be installed AFTER the 'central' type ADSL filter.



Please note: Adaptors may be required to adapt to or from the RJ 'Modular' format cables, that have been supplied with this product.