



# National Communications

Australia's Telephone Line Sharing Company



## DOOR STATION SOLUTIONS FOR ANY SITE



- High volume and clarity
- No feedback
- Door release from any telephone
- Automatic camera control
- Automatic dial out to a pre-programmed telephone number when site is unattended

for

**Residential  
Telephone  
Lines**



or



**Business  
Pabx users**

**• INNOVATIVE • HIGH PERFORMANCE • ECONOMICAL**

Designed and Manufactured in Australia

Phone (07) 5596 5128 Fax (07) 5596 5121 [www.natcomm.com.au](http://www.natcomm.com.au)

Units 11-12/39-47 Lawrence Drive Nerang Queensland 4211



## Door Station Line Sharers 2010

We are proud to provide you with this 2010 Catalogue of our Door Station Line Sharer products.

For 2010, our ongoing Research and Development program has delivered a number of new features and performance improvements, including :

### New Controllers

Our new DS7, DS8 and DS9 controllers are designed to allow you to use an ordinary telephone instead of one of our Door Phones, together with DTMF control of 1 or 2 locks.

They can be very useful in a noisy environment, such as a truck stop, where a driver can reach across to an ordinary (or special vandal proof) telephone and automatically commence a call by simply going off hook.

DS7 is designed for connection to a Single (PSTN) Telephone line, DS8 is designed for connection to a PABX extension and DS9 can connect to either, and still provide automatic dial out.

### New Door Phones & Door Phone Accessories

We have introduced a new compact version of our Flush Mount Door Phone, which is available with an attractive brushed aluminium fascia, or 316 marine grade stainless steel. This now provides you with a choice of several Door Phones, all of which can be used with any of our DS Controllers.

Strong transparent perspex Door Phone Covers (DPC's) are now available for all Door Phones and are recommended when a Door Phone is mounted in a position that directly exposes it to rain. Vertical and Horizontal orientation DPC's are available for both model Flush Mount Door Phones.

Optional Wall Mount Boxes (made from galvanized iron) are provided for both Flush Mount Door phone models and are designed to save you time when fitting FMDP's into a wall surface.

### New Door Station Controller Features

All 2010 model DS Controllers now incorporate a new 'Touch Tone' programming interface, which provides for quick and easy selection of an increased number of user settings.

### Improved Door Phone Performance

Our 2010 model Flush Mount Door Phones incorporate a new 4 wire design that provides for even greater volume and clarity. Snap in Phoenix connectors are also used to improve ease of connection.





order code:  
SMDP

## Surface Mount Door Phone

- For mounting onto a wall or other surface.
- Weather Resistant design incorporating a Mylar Speaker.
- 2 wire connection to the DS controller.

### Options

- Attractive 5mm transparent perspex weather cover

## Flush Mount Door Phone - Compact Version



order code:  
FMDC/C

- For mounting into a wall surface.
- Can be installed in horizontal or vertical orientation.
- Brushed Aluminium or marine grade 316 stainless steel Fascia
- Capacitive 'Touch Sensitive' switch
- Weather Resistant design incorporating a Mylar Speaker.
- 4 wire connection to the DS controller.



### Options

- Attractive and strong 5mm transparent perspex weather covers are available in vertical or horizontal mounting configuration.
- Galvanized Iron wall mounting box - fits into wall surface for easier installation.

## Flush Mount Door Phone - with Camera Mount Facility



order code:  
FMDC

- For mounting into a wall surface.
- Brushed Aluminium or marine grade 316 stainless steel Fascia
- Optional pin hole high resolution colour camera
- 10mm camera hole, sealed with a perspex plate and two threaded mounting studs
- Capacitive 'Touch Sensitive' switch
- Weather Resistant design incorporating a Mylar Speaker.
- 4 wire connection to the DS controller.



### Options

- Attractive and strong 5mm transparent perspex weather covers are available in vertical or horizontal mounting configuration.
- Galvanized Iron wall mounting box - fits into wall surface for easier installation.



## Connect **ONE** or **TWO** Door Phones to your **Ordinary Single Telephone Line**

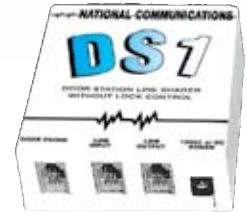
These DOOR STATION Line Sharers are specifically designed to operate with your ordinary (residential type) PSTN Telephone Line.

You can then connect ONE or TWO of our range of Surface Mount or Flush Mount DOOR PHONES direct to the DOOR STATION Line Sharer.

Then when the Call Button of either Door Phone is activated, our DS Line Sharer will RING all telephones connected to your telephone line, with a different ring, to advise you that you have a visitor at your front door or gate. Simply answer any telephone (including your cordless phone) and you are then connected direct to your Door Phone, so that you can speak to your visitor and even let them in, as Touch Tone Lock Control is also provided.

Model DS2 provides for control of ONE LOCK and Models DS3 and DS6 provide for control of TWO LOCKS. Lock TWO can alternatively be used to START and STOP a VIDEO DEVICE and/or TURN ON and TURN OFF a LIGHT at the initiation and completion of the Door Phone call.

Automatic DIAL OUT to your Mobile Telephone (or to any pre-programmed number) is provided for with our Model DS6 Line Sharer. DS6 will begin dialling out after a user selectable number of rings, or you can enable and disable it's 'immediate dial out' facility from any telephone on your line.



### **MODEL DS1**

- PSTN Connection
- No Lock Control



### **MODEL DS2**

- PSTN Connection
- Single Lock Control



### **MODEL DS3**

- PSTN Connection
- Dual Lock Control

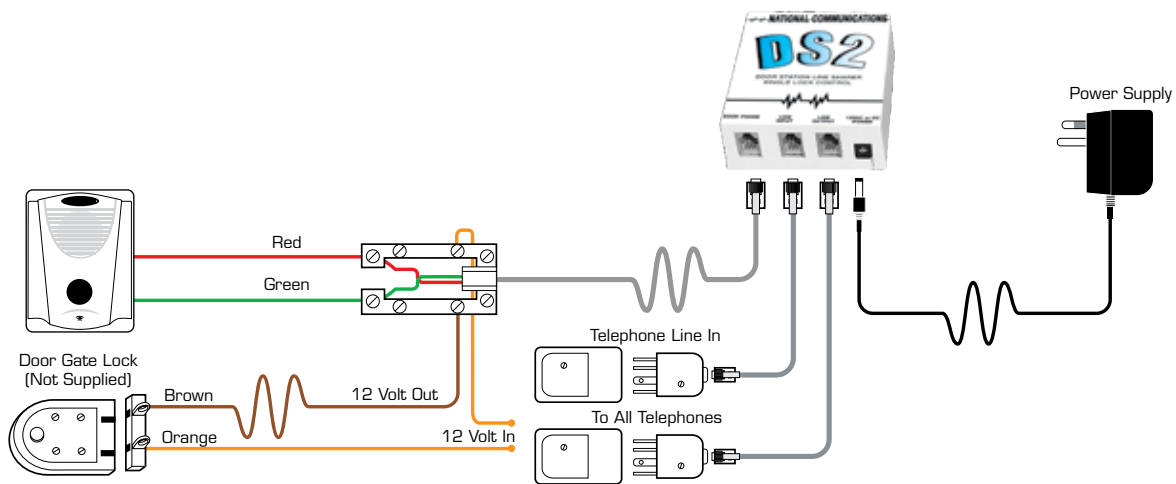


### **MODEL DS6**

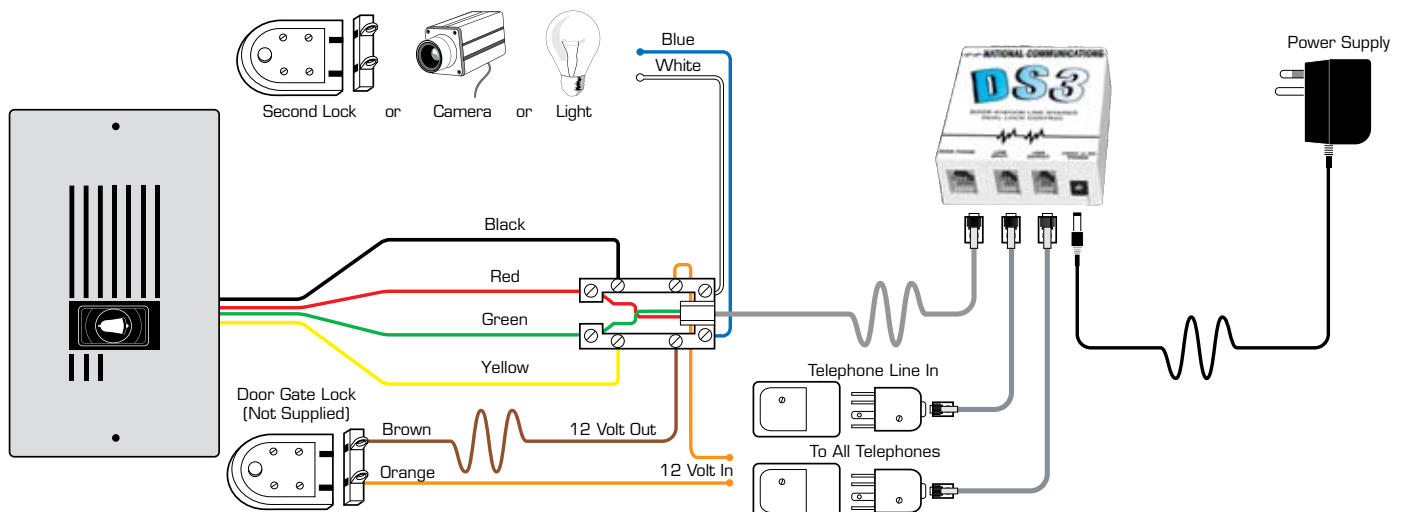
- PSTN Connection
- Dual Lock Control
- Automatic Dial Out Facility

# Installation Diagram for DS Controllers when connected to a single telephone line

## 2 Wire SMDP Connection Single Lock Connection



## 4 Wire FMDP Connection Dual Lock Connection





## Connect ONE or TWO Door Phones To Your PABX or Multi-Line Telephone System

Our New DS4, DS5 and DS6 Model DOOR STATION Line Sharers are designed to connect to an Analogue Extension of your PABX or other Multi-Line Telephone System.

You can then connect ONE or TWO of our range of Surface Mount or Flush Mount DOOR PHONES direct to the Line Sharer.

Then when the Call Button of either Door Phone is activated, our DS4 or DS5 Line Sharer will generate an off hook condition to your PABX, which can then direct your Door Phone call as required. Model DS6 can dial out to a pre-programmed number, if your PABX cannot. The Line Sharer will then terminate the call as soon as the called party hangs up.

Touch Tone Lock Control is also provided, so that ONE (Model DS5) or TWO (Model DS6) separate Electric Locks can be controlled as required.

Lock TWO (of Model DS6) can alternatively be used to START and STOP a VIDEO DEVICE and/or TURN ON and TURN OFF a LIGHT at the initiation and completion of the Door Phone call.

### Alternative PABX Connection

Our models DS1, DS2, DS3 and DS6 Door Station Line Sharers can be connected to an unused or used LINE IN Trunk of a PABX, and then will ring the system and operate as if they were connected to a standard PSTN Line.



#### MODEL DS4

- PABX Extension Connection
- No Lock Control



#### MODEL DS5

- PABX Extension Connection
- Single Lock Control

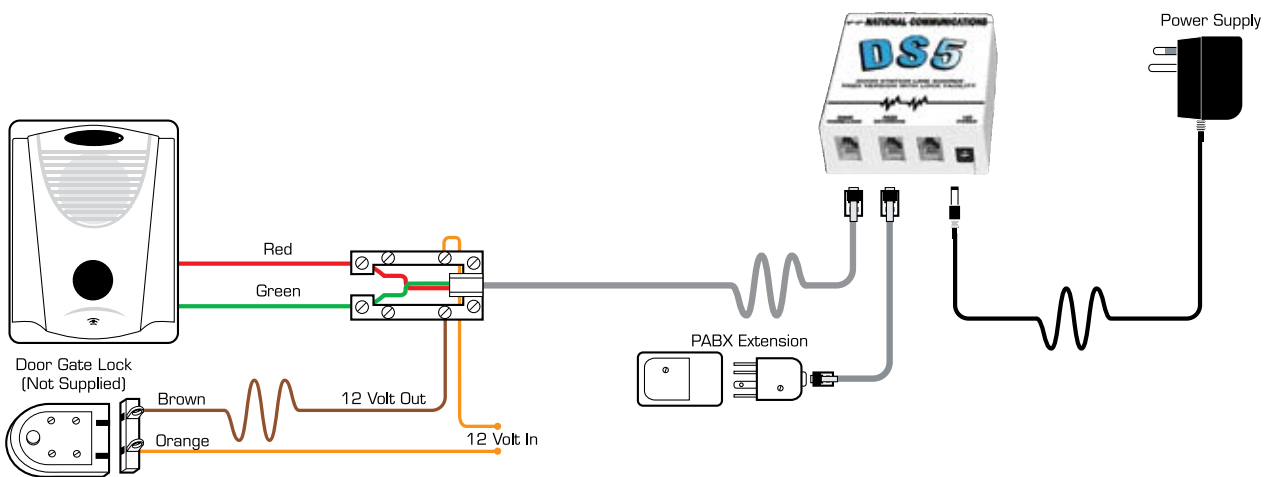


#### MODEL DS6

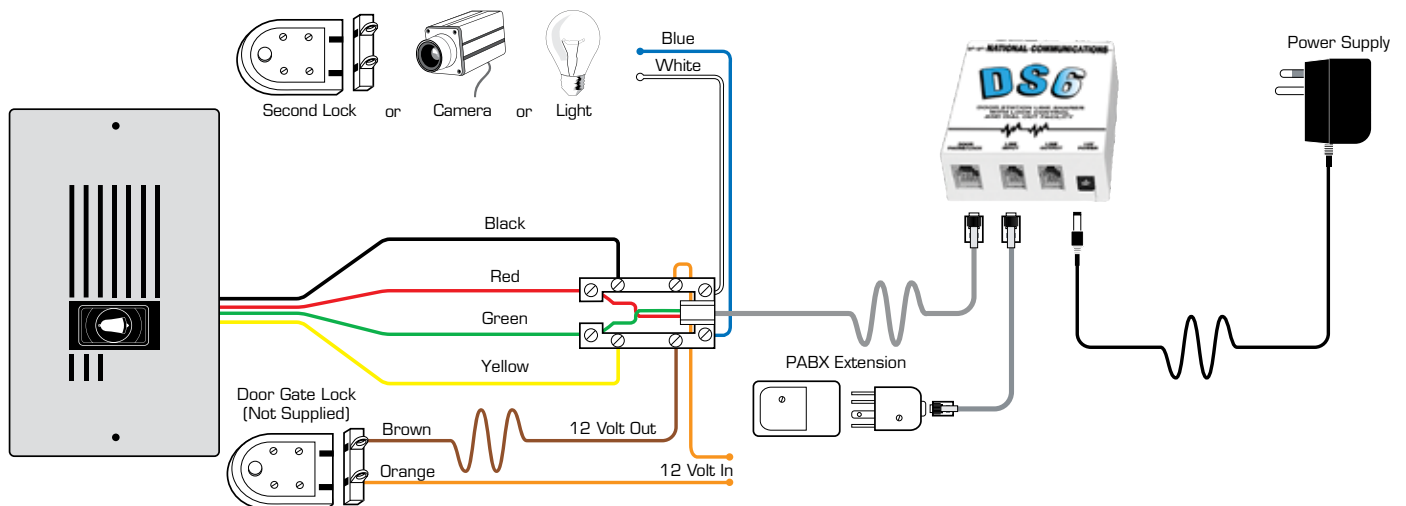
- PABX Ext or PSTN Connection
- Dual Lock Control
- Automatic Dial Out Facility

# Installation Diagram for DS Controllers when connected to a PABX extension

## 2 Wire SMDP Connection Single Lock Connection



## 4 Wire SMDP Connection Dual Lock Connection



# DOOR PHONE ACCESSORIES

## Door Phone Covers

Are available for all Door Phones and are recommended whenever a roof is not fitted above a Door Phone to protect it from direct rain.

### Model DPC1

Is made for the Surface Mount Door Phone which is always mounted vertically

### Model DPC2/C

Is made for the Flush Mount Door Phone - Compact Version when it is mounted vertically

### Model DPC2

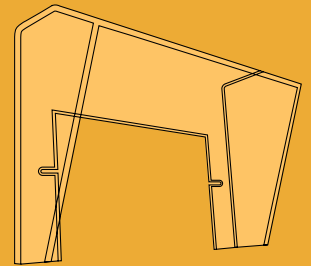
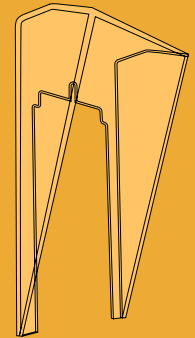
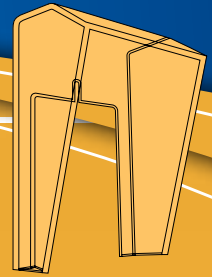
Is made for the Flush Mount Door Phone - Standard Version when it is mounted vertically

### Model DPC3/C

Is made for the Flush Mount Door Phone - Compact Version when it is mounted horizontally

### Model DPC3

Is made for the Flush Mount Door Phone - Standard Version when it is mounted horizontally



## Wall Mount Boxes

Are available for both Flush Mount Door Phones and are designed to make installation quicker and easier.

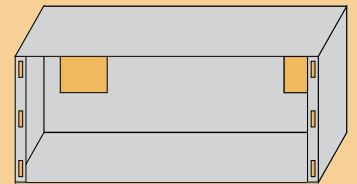
### Model WMB

Is made for the the Flush Mount Door Phone - Standard Version

### Model WMB/C

Is made for the the Flush Mount Door Phone - Compact Version

Note - The WMB/C Wall Mount Box can also be surface mounted due to the fact that it is shallow, allowing for the sides to be covered with a wooden surround or other material.



## Optional COLOUR VIDEO CAMERA

A High Resolution, Low Light, COLOUR Video Camera is now available fitted to the Flush Mount Door Phone. This pin hole Camera uses a SONY Lens, provides a Resolution of 420 Lines, 500 x 582 pixels and can operate down to the very low light level of 0.01 lux.

The fitted Camera is powered direct by the Flush Mount Door Phone and has a single RCA Video output. Baluns are also available where CAT5 connection is desired. Warranty is 12 months.

• INNOVATIVE • HIGH PERFORMANCE • ECONOMICAL

Designed and Manufactured in Australia

Phone (07) 5596 5128 Fax (07) 5596 5121 [www.natcomm.com.au](http://www.natcomm.com.au)

Units 11-12/39-47 Lawrence Drive Nerang Queensland 4211