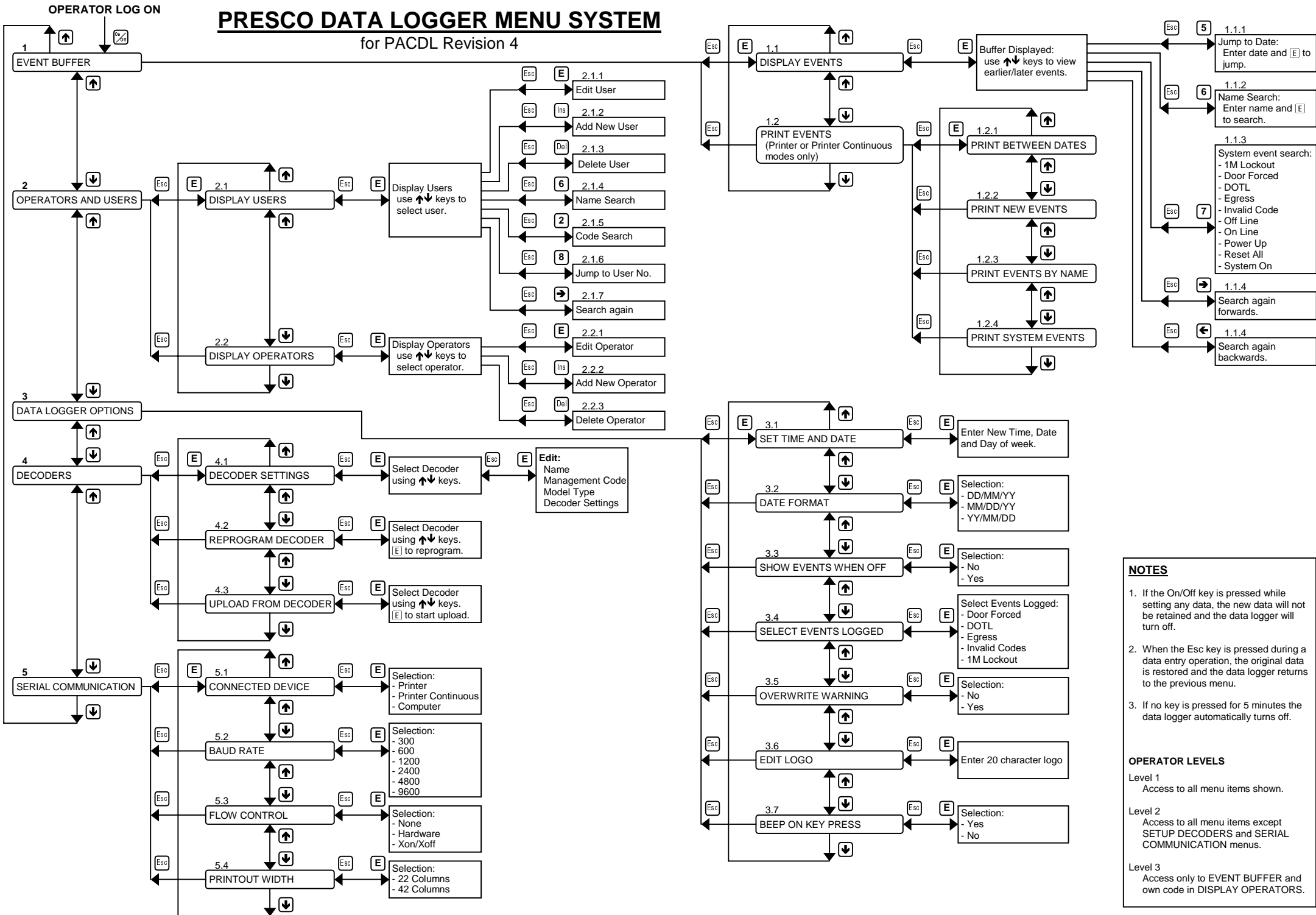


PRESCO DATA LOGGER MENU SYSTEM

for PACDL Revision 4



NOTES

- If the On/Off key is pressed while setting any data, the new data will not be retained and the data logger will turn off.
- When the Esc key is pressed during a data entry operation, the original data is restored and the data logger returns to the previous menu.
- If no key is pressed for 5 minutes the data logger automatically turns off.

OPERATOR LEVELS

Level 1
Access to all menu items shown.

Level 2
Access to all menu items except SETUP DECODERS and SERIAL COMMUNICATION menus.

Level 3
Access only to EVENT BUFFER and own code in DISPLAY OPERATORS.