

Electrical

243 mA at 12 Volt DC – 187mA at 24 Volt DC
Solenoids are rated for continuous use.

Monitoring

None

Mechanical

Compliant with AS 4145.2 and UL 1034 Approved
Cycle tested to 1,000,000 operations
Suitable for 18 mm latch tongue with 3 mm door gap

Warranty

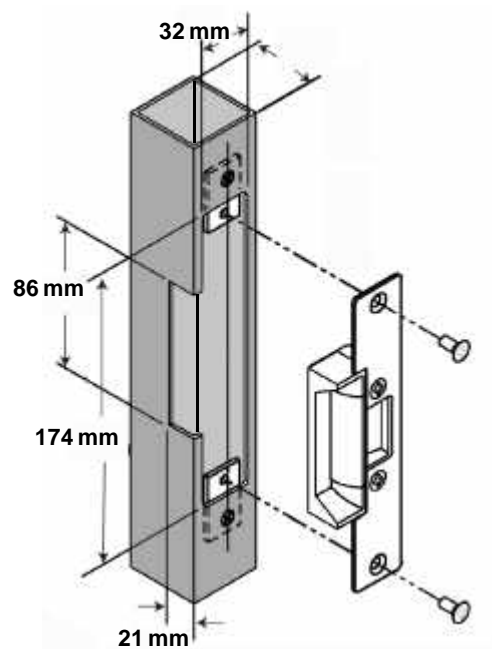
Protected by **TRICARE** 5 year warranty

Environmental

Operational temperature range -20C to +60C
Weather resistant construction available.
(IP56).

Shipping

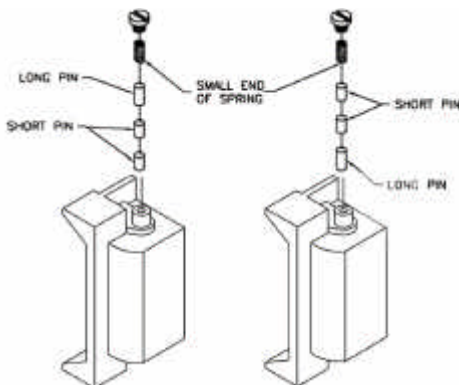
Product weight = 162 gms
Product weight with box = 195 gms
Shipping size of box = 205 x 48 x 38 mm



Patented Innovation - as easy as this

Power To Open (Fail-Secure)

Power To Lock (Fail-Safe)

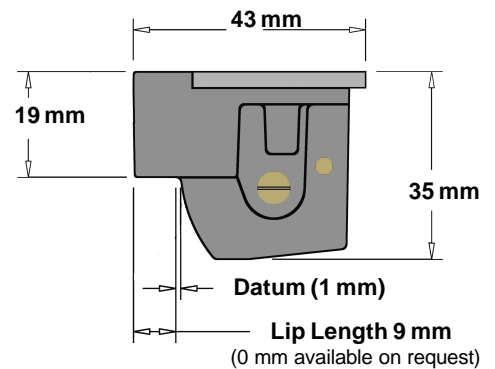


Power To Open:

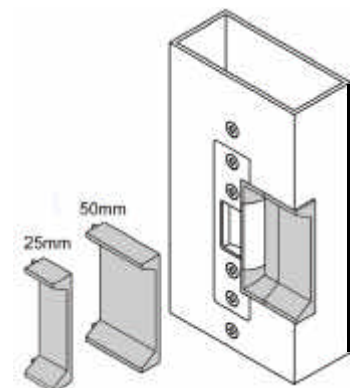
When power is supplied to the strike, the unit is unlocked. If power fails, the strike is locked and the door is secured.

Power To Lock:

When power is supplied to the strike, the unit is locked. If power fails, the strike is unlocked, and the door is safe (unlocked) for exit.



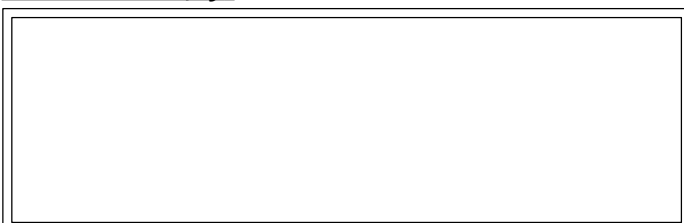
Extension Lips



Specification Statement

The electric strike should be of a type which is unaffected by vibration and offer a minimum 5 years warranty. Where "Power to Lock" and "Power to Open" functions may be required in the same installation, the electric strike should be interchangeable from either "Power to Lock" or "Power to Open" at site. The strike should not consume current greater than 243 mA at 12 Volt or 187 mA at 24 Volt and have a solenoid suitable for continuous use. The face-plate of the electric strike should have an architectural finish of brushed anodised aluminum or brushed stainless steel.

Distributed By:



Compliant



www.padde.com.au