



# 12V DC 1 A Power Supply Module

The PS12-1B, Linear Regulated Power Supply from Tactical Technologies has been designed to provide 12.1V DC nominal at 1A.

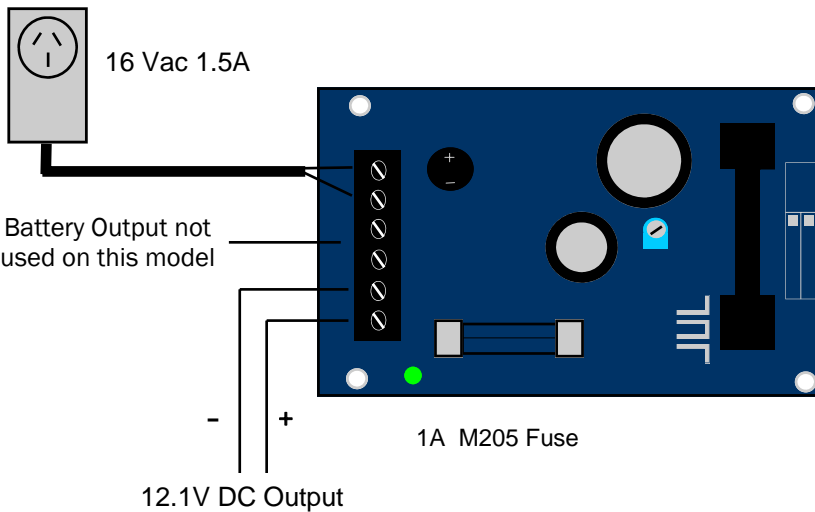
Housed in a powder coated steel enclosure and supplied with an approved 16V AC 1A Plug Pack, PS12-1B has output short circuit protection via a 1A, M205 Fuse - if replacement is required, use only the correct fuse.

## Warranty Statement

Tactical Technologies Pty Limited guarantees this product against defective parts and workmanship for a period of twelve (12) months from date of purchase. If any defect appears during the warranty period, return the goods to Tactical Technologies Pty Limited postage paid. Tactical Technologies Pty Limited assumes no liability for consequential or indirect damage and accepts no responsibility for repairing damage to products caused by misuse, careless handling, or where repairs have been made by others. In the interest of ongoing product development Tactical Technologies Pty Limited reserves the right to modify, vary or alter the design of this product without written notice.

### Specifications

Input:	16V AC 1.5A
Output:	12.1V DC 1A
Dimensions:	205L x 140W x 85H mm
Weight:	850 gm (without Plug Pack) 1.5 Kg (including Plug Pack)



Wiring Diagram - Typical



# PS12-1B

Tactical Technologies Pty Ltd, 5 Butterfield St, Blacktown NSW 2148  
Ph: (61-2) 8822-1888 Fax: (61-2) 8822-1899  
sales@tac-tech.com.au www.tac-tech.com.au