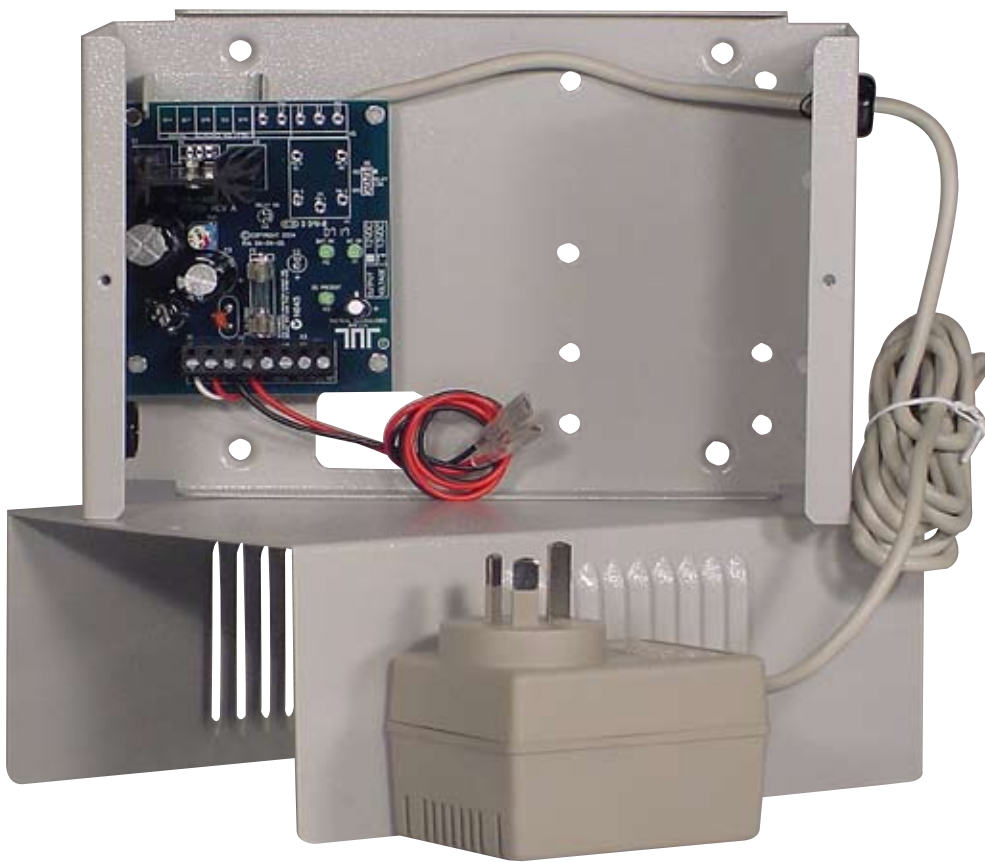


Installation Manual

PS13-1AB



13.8V DC 1A Power Supply

Designed & Manufactured



In Australia

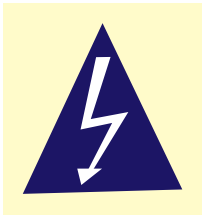


N645



tactical Technologies Pty Ltd

CAUTION



Equipment must be installed & serviced by suitably qualified service personnel in a restricted access area. There are no user serviceable parts inside.

Dangerous Voltage Inside !

Do not remove module covers

No user serviceable parts inside



General

This power supply is designed for indoor use only.

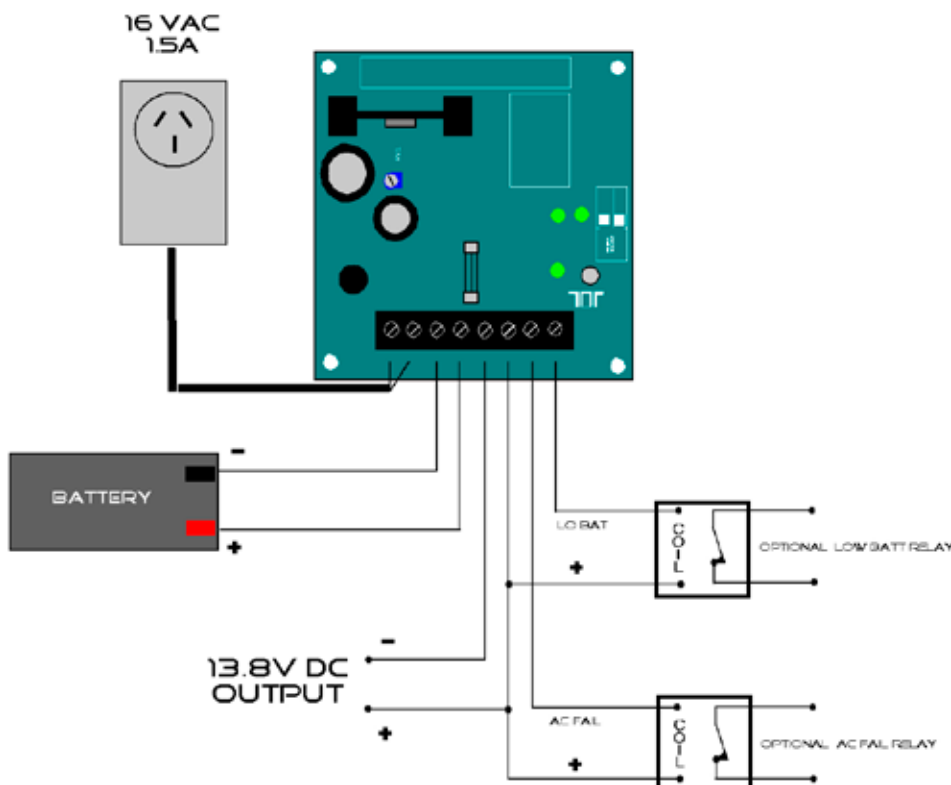
PS13-1AB is a linear regulated 13.8Vdc 1A Power Supply Module, mounted in a powder coated steel enclosure and supplied with a factory fitted 16Vac plug pack.

This model features solid state (open circuit collector) outputs for both AC Mains Fail & Low Battery. (See diagram below)

Connection

DC output terminals are specified in the layout overleaf and can provide a maximum of 1A.

Please take start-up / inrush current into account when configuring your system.



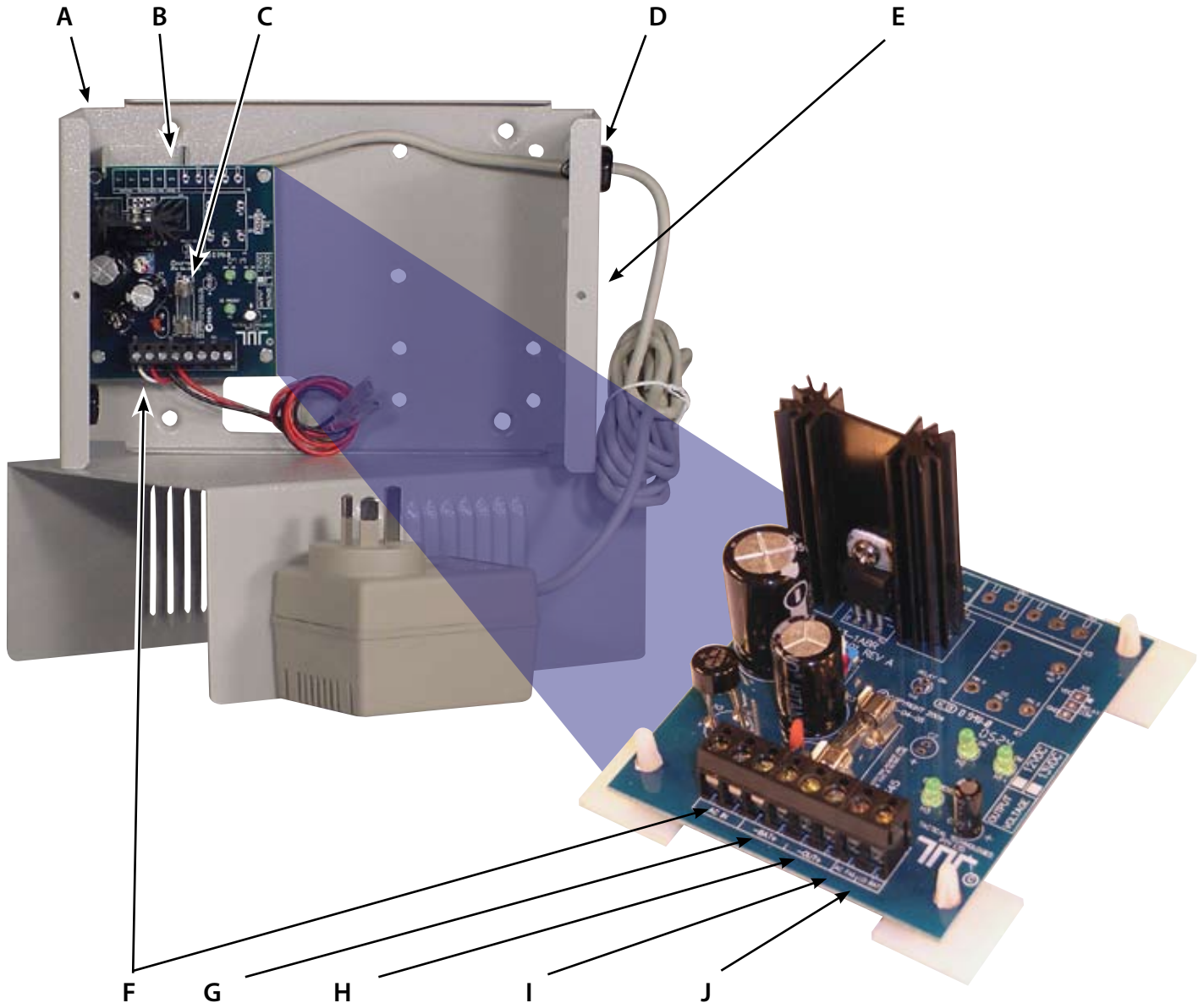
Note:

The power supply will current limit and shut down if a total of 1 Amp load (including battery charge current) is exceeded.

Take care to observe polarity when connecting a battery.

LAYOUT

PS13-1AB



A	Powder coated steel enclosure
B	1A Power Module
C	Output Fuse
D	Plug pack cable entry
E	Model Compliance & Date of Manufacture Label
F	16Vac input (from plug pack)
G	Battery Terminals (Observe Polarity)
H	Power Output to load
I	AC Fail Output (Open Circuit Collector)
J	Low Battery Output (Open Circuit Collector)

Warranty Statement

Tactical Technologies Pty Limited guarantees this product against defective parts and workmanship for a period of twelve (12) months from the date of purchase. If any defect appears during the warranty period, please return the goods to Tactical Technologies Pty Limited freight paid. The goods will be repaired or replaced, then returned.

Tactical Technologies Pty Limited assumes no liability for consequential or indirect damage and accepts no responsibility for repairing damage to products caused by misuse, careless handling or where repairs have been made by others. In the interest of ongoing product development, Tactical Technologies Pty Limited reserves the right to modify, vary or alter the design of this product without written notice.

Specifications

	PS13-1AB
Output Voltage	Factory set to 13.8 Vdc
Output Current	1A Max
AC Fail Output	Solid State - Open Circuit Collector
Low Battery Output	Solid State - Open Circuit Collector
Dimensions	205L x 140W x 85H mm
Weight	850g approx plus 650g plug-pack
Input Voltage	240Vac / 50 - 60Hz
EMC Standards	C-Tick N645
Mounting	4 x 3mm mounting holes

Tactical Technologies Pty Ltd

ABN 13 066 744 661

Tel: +61 2 8822-1888 www.tac-tech.com.au 5 Butterfield St, Blacktown NSW 2148 Fax: +61 2 8822-1899

“ Changing The Way You Think About Power ! ”