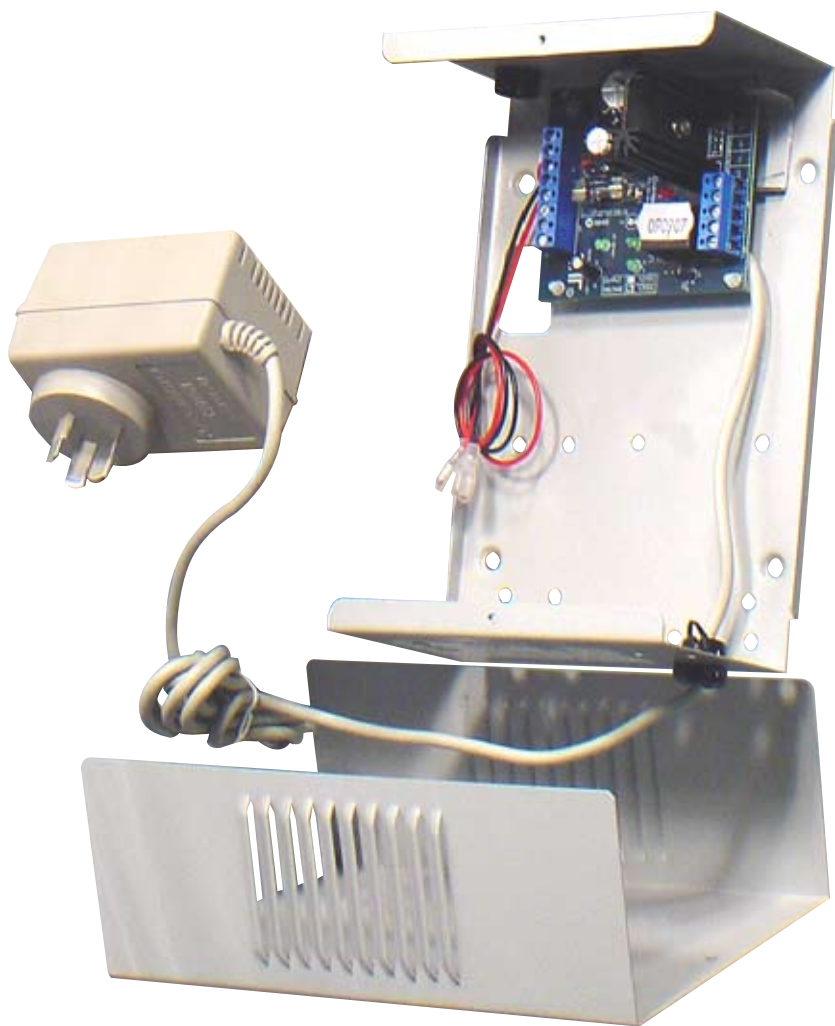


Installation Manual

PS13-1BR



13.8V DC 1A Power Supply



N645

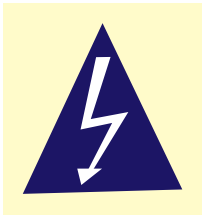


Designed & Manufactured



Tactical Technologies Pty Ltd

CAUTION



Equipment must be installed & serviced by suitably qualified service personnel in a restricted access area. There are no user serviceable parts inside.

Dangerous Voltage Inside !

Do not remove module covers

No user serviceable parts inside

General



This power supply is designed for indoor use only.

PS13-1BR is a linear regulated 13.8Vdc 1A Power Supply Module, mounted in a powder coated steel enclosure, supplied with a factory fitted 16Vac plug pack. This model also incorporates an on-board SPDT buffered relay for use with access control / locking systems.

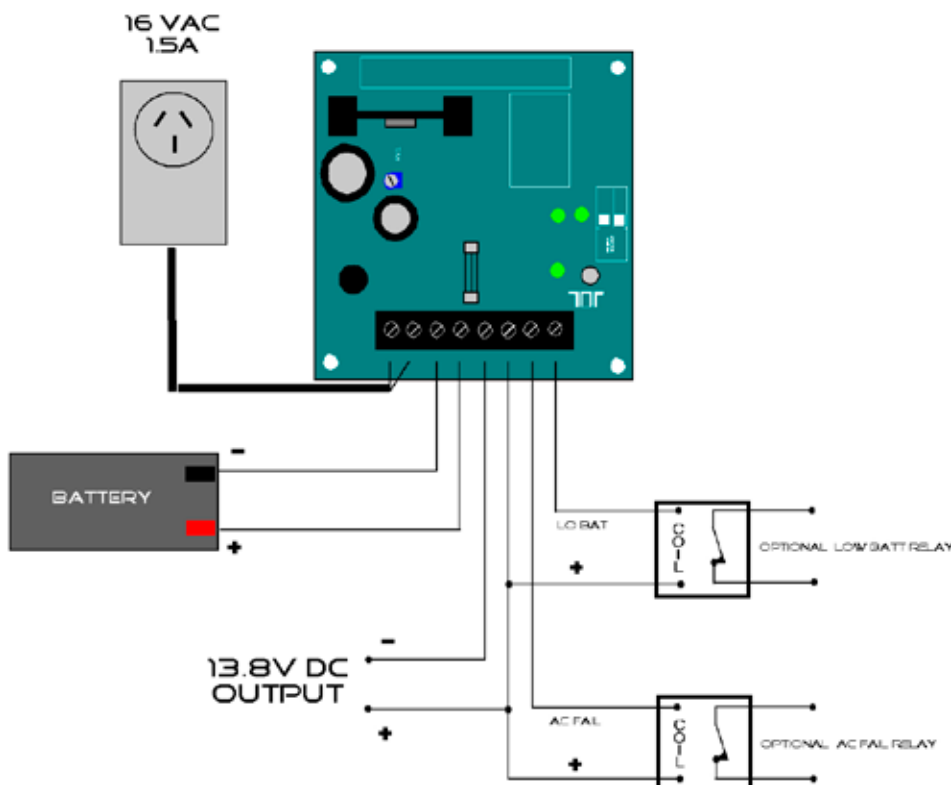
The PS13-1BR features solid state (open circuit collector) outputs for both AC Mains Fail & Low Battery. (See diagram below)

Connection

DC output terminals are specified in the layout overleaf and can provide a maximum of 1A.

Please take start-up / inrush current into account when configuring your system.

The on-board buffered relay may be configured for voltage free (dry contacts) or common positive / negative operation (see link "P" in table overleaf)



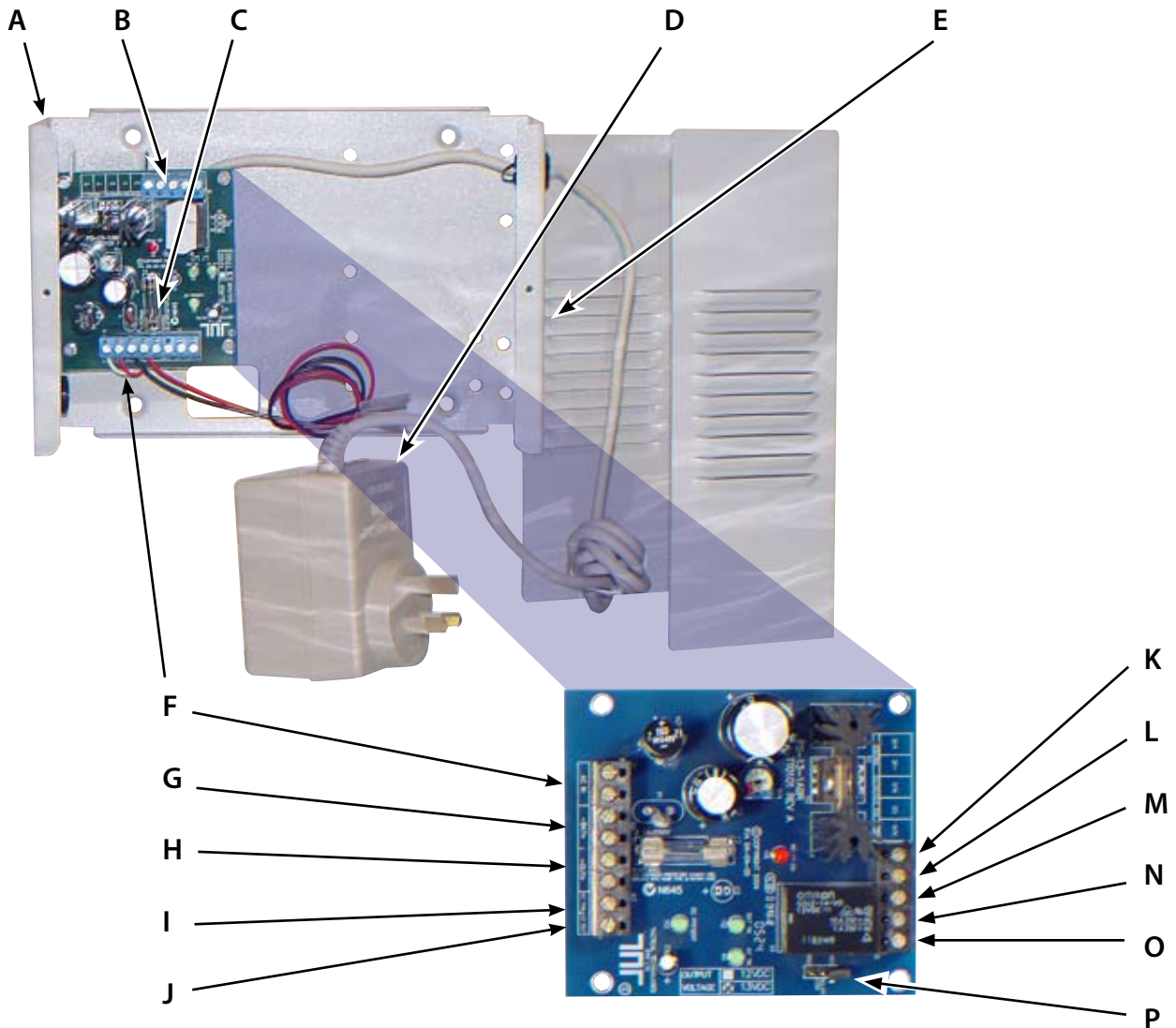
Note:

The power supply will current limit and shut down if a total of 1 Amp load (including battery charge current) is exceeded.

Take care to observe polarity when connecting a battery.

LAYOUT

PS13-1BR



| | |
|----------|--|
| A | Powder coated steel enclosure |
| B | Buffered Relay Terminations |
| C | Output Fuse |
| D | Plug Pack |
| E | Model Compliance & Date of Manufacture Label |
| F | 16Vac input (from plug pack) |
| G | Battery Terminals (Observe Polarity) |
| H | Power Output to load |
| I | AC Fail Output (Open Circuit Collector) |
| J | Low Battery Output (Open Circuit Collector) |
| K | + Positive Trigger Input |
| L | - Negative Trigger Input |
| M | Relay Output - Normally Closed |
| N | Relay Output - Common |
| O | Relay Output - Normally Open |
| P | Relay Common Jumper - sets +ve or -ve to common pole of relay (unjumpered = "dry") |

Warranty Statement

Tactical Technologies Pty Limited guarantees this product against defective parts and workmanship for a period of twelve (12) months from the date of purchase. If any defect appears during the warranty period, please return the goods to Tactical Technologies Pty Limited freight paid. The goods will be repaired or replaced, then returned.

Tactical Technologies Pty Limited assumes no liability for consequential or indirect damage and accepts no responsibility for repairing damage to products caused by misuse, careless handling or where repairs have been made by others. In the interest of ongoing product development, Tactical Technologies Pty Limited reserves the right to modify, vary or alter the design of this product without written notice.

Specifications

| | PS13-1BR |
|------------------------|--------------------------------------|
| Output Voltage | Factory set to 13.8 Vdc |
| Output Current | 1A Max |
| AC Fail Output | Solid State - Open Circuit Collector |
| Low Battery Output | Solid State - Open Circuit Collector |
| Dimensions | 205L x 140W x 85H mm |
| On-Board Relay Trigger | Positive or Negative Buffered Input |
| On-Board Relay Rating | SPDT / 8A max @ 30Vdc |
| Weight | 850g approx. plus 650g plug-pack |
| Input Voltage | 240Vac / 50 - 60Hz |
| EMC Standards | C-Tick N645 |
| Mounting | 4 x 3mm mounting holes |

Tactical Technologies Pty Ltd

ABN 13 066 744 661

Tel: +61 2 8822-1888 www.tac-tech.com.au 5 Butterfield St, Blacktown NSW 2148 Fax: +61 2 8822-1899

“ Changing The Way You Think About Power ! ”