



# 13V DC 1 AMP POWER MODULE

The PS13-1E, Linear Regulated Power Supply Module from Tactical Technologies has been designed to provide 13.8V DC at 1A.

PS13-1E features an onboard battery charger with LED indication to show the presence of DC.

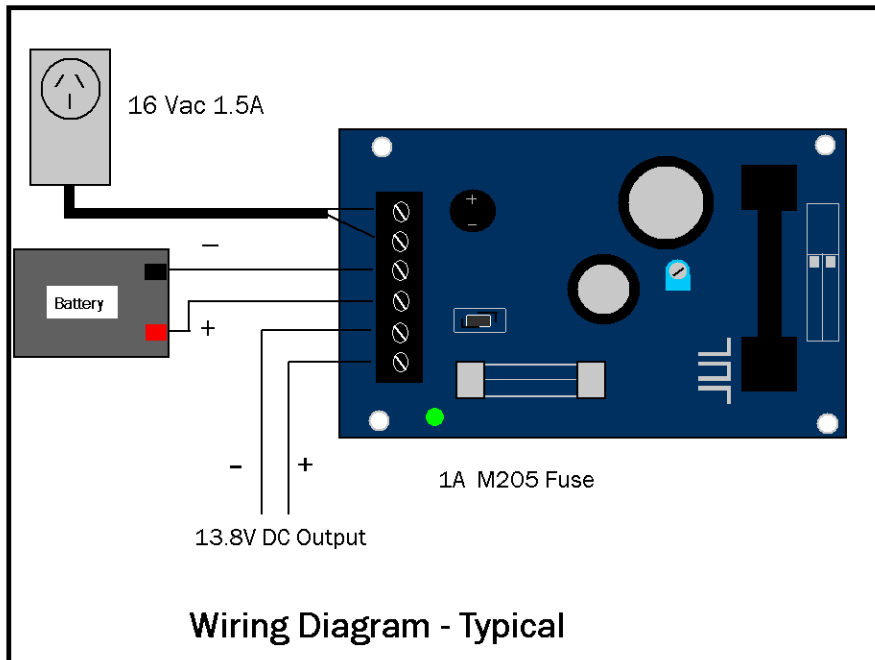
This module is supplied with 4 x adhesive mounting stand-offs and requires an approved 16V AC 1A Plug Pack (not supplied) Tactical Part No: 16VP/P. Output is short circuit protected with a 1A, 3AG Fuse - if replacement is required, use only the correct fuse.

## WARRANTY STATEMENT

Tactical Technologies Pty Limited guarantees this product against defective parts and workmanship for a period of twelve (12) months from date of purchase. If any defect appears during the warranty period, return the goods to Tactical Technologies Pty Limited postage paid. Tactical Technologies Pty Limited assumes no liability for consequential or indirect damage and accepts no responsibility for repairing damage to products caused by misuse, careless handling, or where repairs have been made by others. In the interest of ongoing product development Tactical Technologies Pty Limited reserves the right to modify, vary or alter the design of this product without written notice.

## SPECIFICATIONS

Input:	16V AC 1.5A
Output:	13.8V DC 1A
Dimensions: (inc. mounting feet)	85L x 51W x 58H mm
Weight:	65 gm



# PS13-1E

TACTICAL TECHNOLOGIES PTY LTD, 5 BUTTERFIELD ST, BLACKTOWN NSW 2148

PH: (61-2) 8822-1888 FAX: (61-2) 8822-1899

SALES@TACTICAL-TECHNOLOGIES.COM.AU WWW.TACTICAL-TECHNOLOGIES.COM.AU